



With our connected and intelligent lift solution, you enter the third dimension of smart cities.



LIFT



Lift Camera Spot  
Code 8D5867A

## Camera for Lifts

- **2 wires connection to 3G Gateway (8D5824IoT) for images remotization**
- **It definitively deletes false alarms to Help Desks**
- **Easy installation like changing a LED spotlight**
- **It sends the image via e-mail or FTP server**

Lift Camera Spot is the first system designed and produced to **solve permanently the problem of false calls** received by Help Desk.

Now it is possible to **display the real situation inside the lift Car**, receiving a snapshot via e-mail, after the alarm button has been pushed or on demand by the remote operator. False calls can be immediately identified.

The image sent has a low resolution to reduce the Privacy problems.

The installation of Lift Camera Spot is simplified as **it can be positioned in the lift Car in place of a LED spotlight.**

Lift Camera Spot is connected to 3G Gateway IoT through 2 wires only and power supply.

The connection distance between Lift Camera Spot and 3G Gateway is more than 100 meters using a standard cable.

The configuration of Lift Camera Spot is carried out through a simple SMS sent to 3G Gateway IoT.



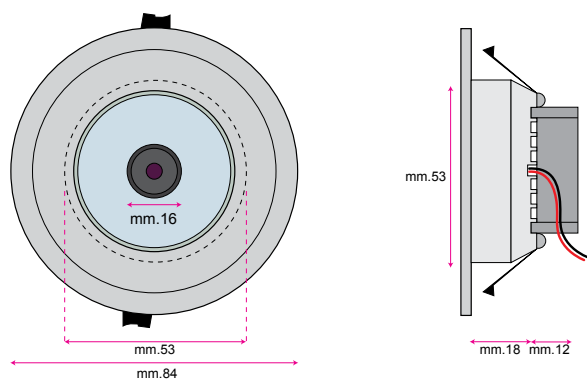
Once Lift Camera Spot is installed, at the activation of the emergency call an e-mail is sent with the image taken, after a few seconds the SOS button is released.

The Help Desk operator will be able to establish if this is a false alarm.

In case of need during the phone call, the operator can require a new image to verify eventual developments of the alarm status or to comfort the trapped people.

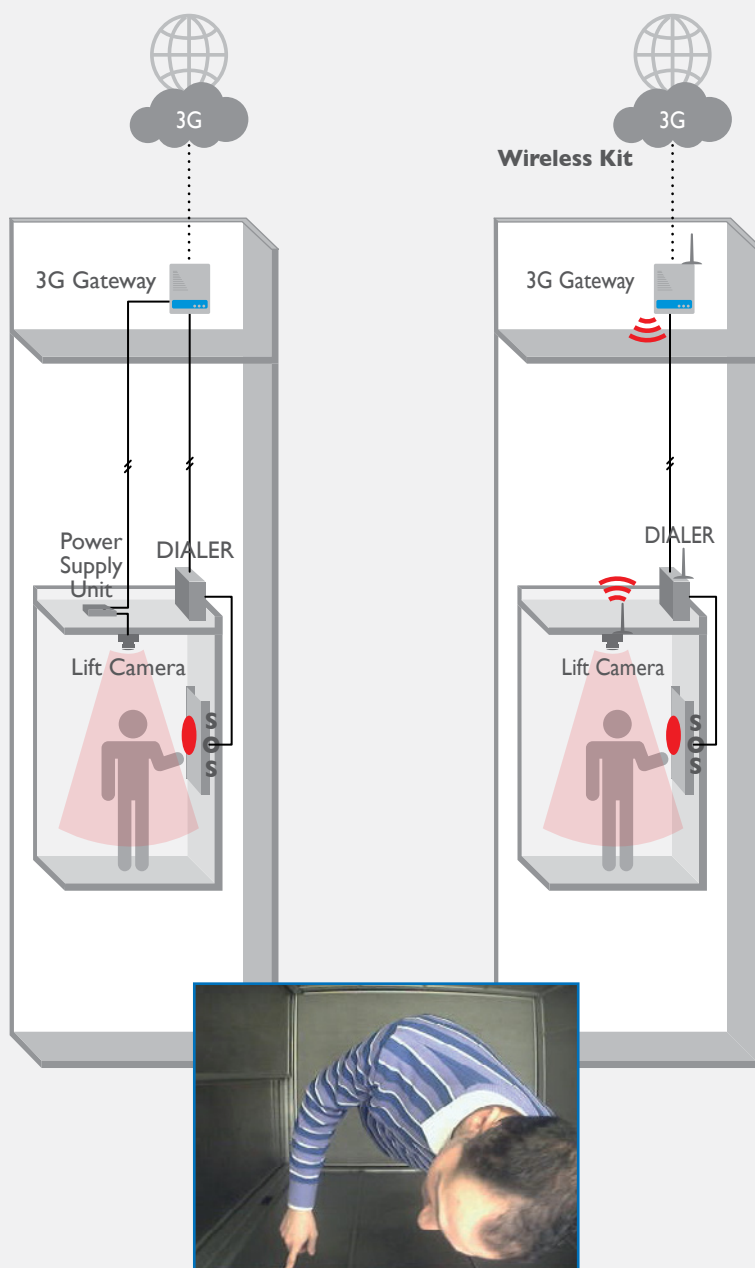
The Help Desk can close the false calls and store the image as evidence in case of notification **avoiding legal risks of negligence.**

For complex installations or when no free cable is present, **an optional wireless kit** is available to connect Lift Camera Spot to 3G Gateway. The installation will be quick and it won't require the 2 wires for standard connection.



## TECHNICAL FEATURES

- Operation with daily or artificial light (IR LED)
- CMOS color sensor 0,3 Mega Pixel
- Serial connection to 3G Gateway IoT
- View angle 90°
- Resolution:VGA (640 \* 480) / QVGA (320 \* 240) / 160 x120
- Automatic white balance and automatic gain
- Lumen: minimum 1 Lux
- 12VDC 1A power supply
- Operating temperature -15°C ÷ +70°C



### PACKAGE CONTENT

- 8D5867A LIFT CAMERA SPOT
- Power Supply Unit
- "Area Under Videosurveillance" label
- User's Guide